

Power Supply 90 VDC

CEC015012000090

SPECIFICATIONS

Input: 120 VAC, 50/60 Hz single phase, 170 VA max

Output: 90 VDC nominal, 1.25 Amps max (Full wave rectified, unfiltered and unregulated.)

Ambient Temperature: -20°F to 122°F

APPLICATION

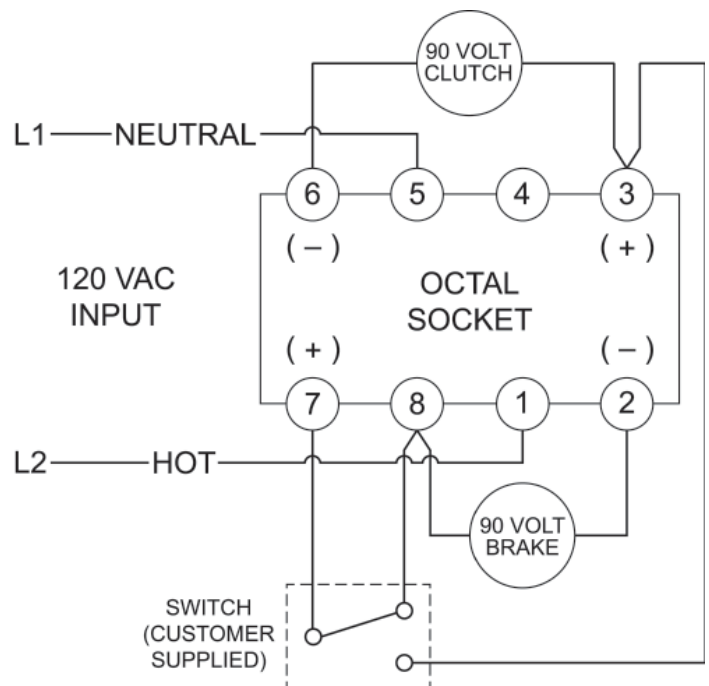
This power supply is suitable for use with Carlyle Johnson's EMA, EPC, FEA, FEB, HTB, EMB, JEM, JEB, and SAB products.

INSTALLATION

- Connect clutch or brake lead wires to terminals 2 and 8.
- Connect clutch or brake leads of second unit (if used) to terminals 3 and 6.
- Connect control switch (supplied by customer) to common terminal 7. Connect remaining switch positions to terminals 3 and 8 as shown. Note: Switch must have a 120 VAC, 10 AMP (inductive) rating.
- Connect "hot" wire of 120 VAC line to terminal 1 and neutral wire of 120 VAC to terminal 5.

WARNING:

- *Make certain all power is off before attempting to install this unit.*
- *Do not connect output lead wires to ground as it will result in damage to the unit.*



THE CARLYLE JOHNSON MACHINE COMPANY, LLC

291 Boston Turnpike • P O Box 9546 • Bolton, Connecticut 06043-9546
(860) 643-1531 • FAX (860) 646-2645 • TOLL FREE (888) 629-4867 • www.cjmco.com

